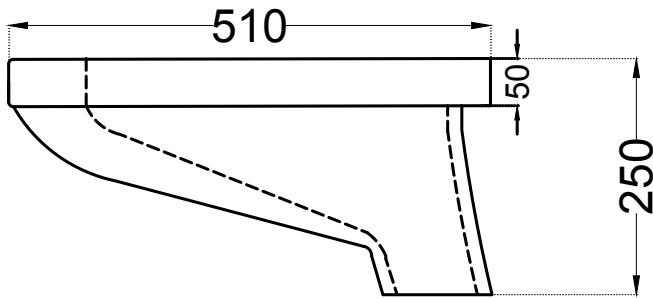
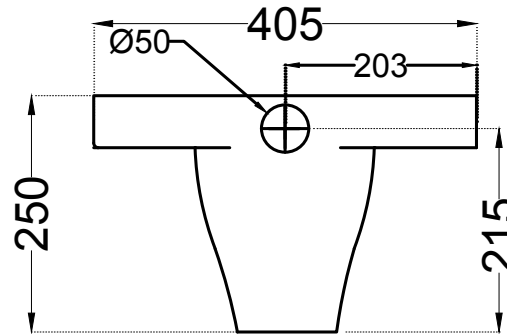


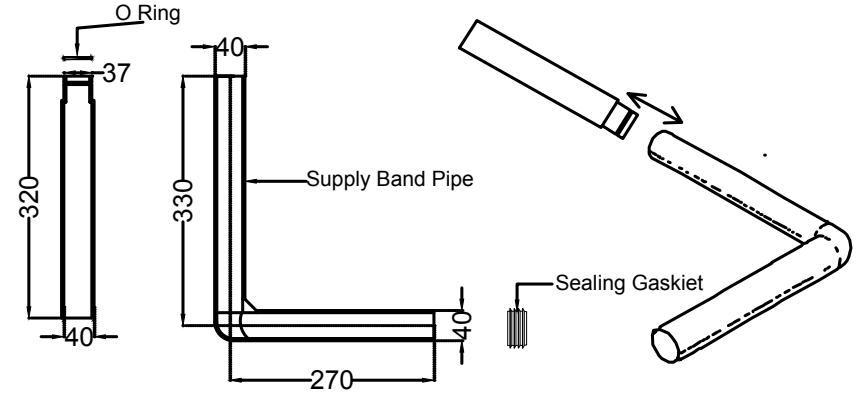
TOP VIEW



SIDE VIEW

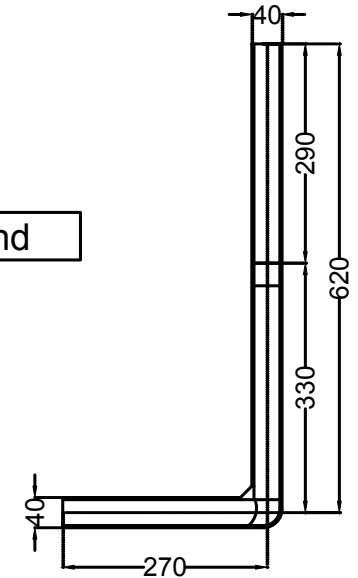


BACK VIEW



extension pipe

L - Bend



	<b>Jaquar Group</b> Global Headquarters Plot No. 3, Sector- M-11, IMT Manesar Gurgaon, NCR - 122050, India E-mail : Sales: support@jaquar.com Customer Service : service@jaquar.com		ITEM CODE	ECS-WHT-453LE
			ITEM TYPE	ORISSA PAN WITH L BEND
			ITEM SIZE	405x510x250 mm
	ALL DIMENSIONS ARE IN MM. (TOLERANCE ± 5 MM)			