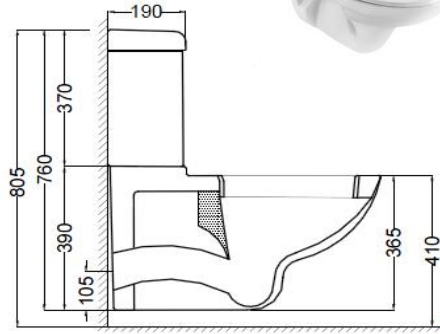
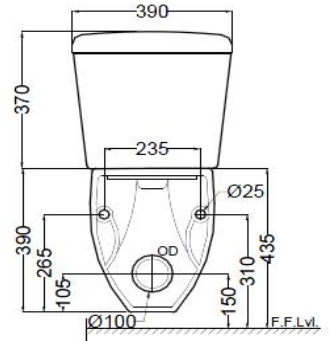


TOP VIEW



SIDE VIEW



BACK VIEW

General Information

Product Code	ECS-WHT-351SPPZ
Brand	Essco
Colour	White
Type	Complete Set For Extended Wall Hung WC
Material	Ceramic-Vitreous China (VC)

Product Specification

Product Dimension	390X665X760 mm
Bowl Opening (Inner Dimension)	285x325 mm
Product Net Weight	28 kg
Product Gross Weight	32.3 kg
Packaging Dimension	870x410x420 mm
Outlet	Horizontal
Trap Distance	P-Trap - 150 mm
Outlet Hole Dimension	External diameter of outlet hole dia. $\varnothing 100 \pm 5$ mm
	Vertical distance between the Floor and the centre line of the waste outlet hole ≤ 150 mm
Product Features	Good Design ,Complete Trap Glaze, Combined Paking with slim PP soft close seat cover with Accessories Anti germ glaze. Material - Vitreous China (VC)

ACCESSORIES INCLUDED

PP soft close seat cover	ECS-WHT-109S
Outlet gasket	ZPS-BLK-GK02
Cistern Fittings	ZCF-WHT-FT003
Cistern	ECS-WHT-201C

ACCESSORIES RECOMMENDATION

Rag bolt	ZPS-SNS-RB01 , ZPS-MST-RB02, ZPS-MST-RB07
----------	---

CARE AND CLEANING GUIDELINES

- Vitreous china sanitary ware products are fragile in nature and need to be handled with care (to avoid personal injury) at all times during its storage, handling, installation and use thereafter.
- The product is heavy and it is recommended that two persons hold it while it is being fixed.
- Carefully inspect the new product for damage before installation.
- Risk of product damage. Over tightening may cause breakage or chipping of vitreous china.
- Risk of external leakage. Do not lift or rock the bowl after placement.
- Always test your cleaning solution on an inconspicuous area on the product before applying it to the entire surface.
- Do not allow cleaners to sit or soak on the product.
- Use a soft, dampened sponge or cloth to clean. Never use abrasive material like a bristle brush or scouring pad.
- Wipe surfaces clean and rinse completely with water immediately after applying cleaners.
- Clean Chrome, stainless steel surfaces once a week. Do not use cleaners containing chloride on chrome, stainless steel. If used, rinse the surface immediately to prevent corrosion.
- Wherever chrome plating is used on the products, use only warm water to clean and then dry with a soft cloth.

QUALITY MANAGEMENT SYSTEM - ISO 9001



DISCLAIMER: Our every effort has been made to ensure factual accuracy, the information presented subject to changes due to requirements in different sites, markets and/ or countries. All dimensions are in mm (Tolerance ± 5 MM). Jaquar reserves the right to make the necessary amendments at any time without prior notice.

For Installation Refer Actual Product